

Installing your *Décor* Windows

INSTALLATION PROCEDURE:

1. Verify that your *Décor* Windows will fit properly on your garage door. (Refer to Coach House Accents® document "Garage Door Specifications" available on our website).
2. Place your window onto the garage door where desired, using a tape measure to ensure that the window is positioned properly on the door panels. Drill 1/8-inch holes in the eight locations. **Start with center holes.**
3. Lay the window face down on a smooth surface to avoid scratching it, and remove the protective film from the back of the Plexiglass.
4. Insert the eight screws into the mounting holes from the front of the panel, and press the rubber washers onto the screw threads from the back side. Ensure the rubber washers make contact with the surface of the panel.



5. Lift the window up to the door panel, and align the protruding screws to the pilot holes. Tighten the screws to fasten the window to the door. **DO NOT OVER-TIGHTEN**, which can pull the threads from the holes or distort the panel.

Repeat this process for your other window panels.



Signature Windows



Heritage Windows

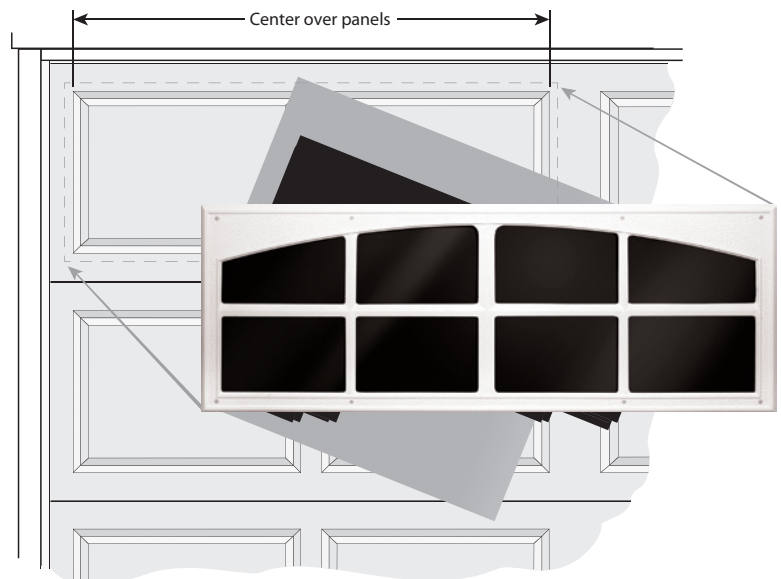


Your Window Kit includes:

- 2 Window Frames with Plexiglass Inserts
- 16 Phillips-Head 1½" Screws
- 16 Rubber Washers

Tools required for installation:

- Electric Drill with 1/8" Drill Bit
- Phillips Screwdriver
- Tape Measure
- Level
- Step Stool or Ladder



Shown is a short-panel door. Use the same technique for long-panel or flat-panel doors.

NOTE: ALWAYS MEASURE YOUR DOOR PANEL BEFORE YOU START!

Manufacturers may change stamping sizes due to model and design changes. Coach House Accents® cannot be responsible for these changes.

Lacks Home Products LLC
4245 52nd St. SE • Kentwood, MI 49512
PH: 800-351-9776 • www.coachhouseaccents.com